



200mm スピーカ
8inch Speaker

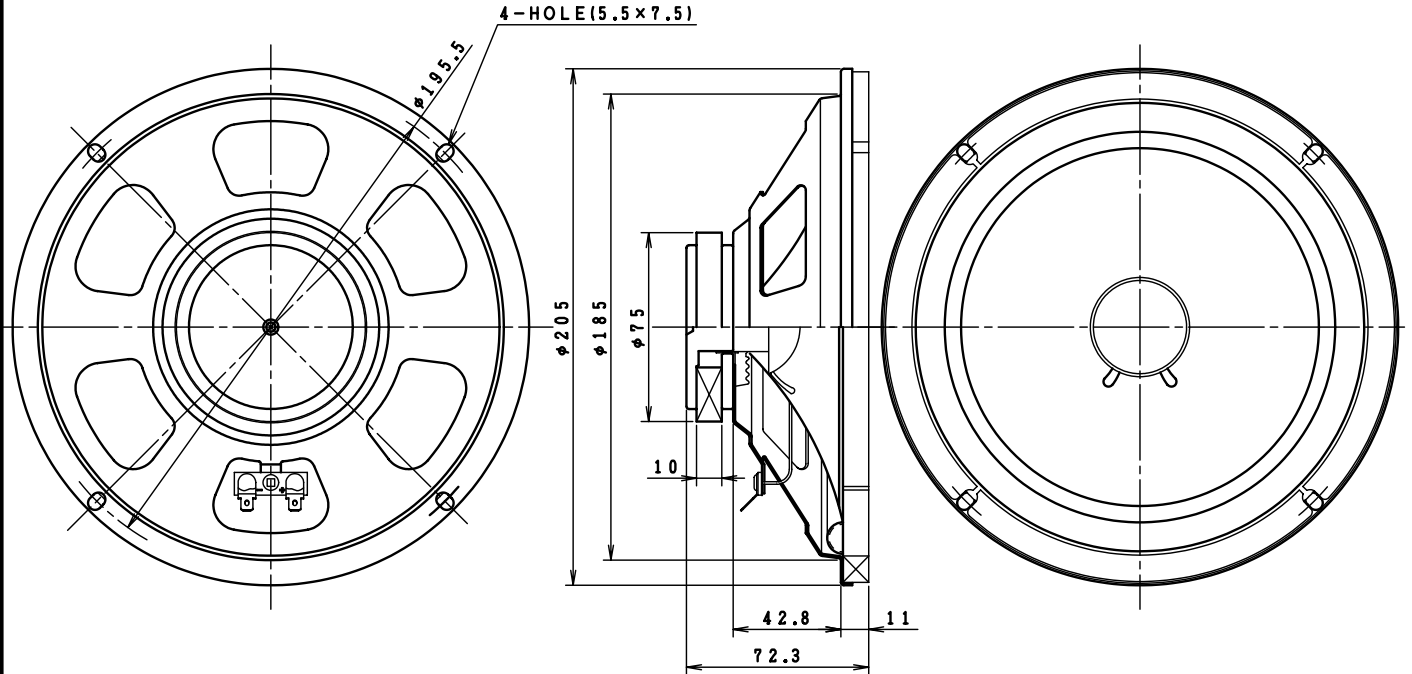
Model No.

F200A46-1

26 June 2003

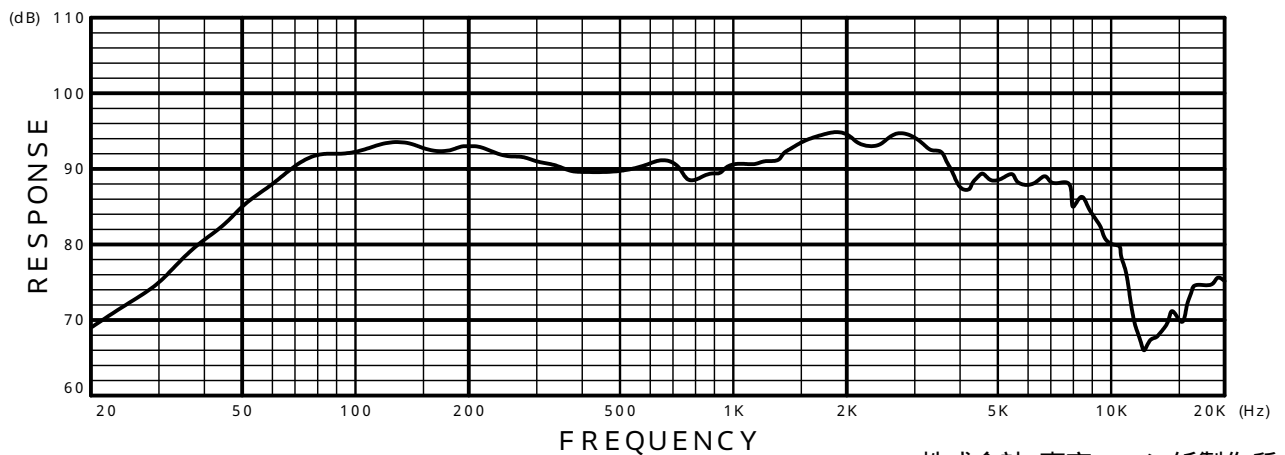
ゼネラル タイプ
黒色抄紙コーン
布エッジ

General Type
Black Pulp Cone
Cloth Edge



Specifications

| | | |
|---------------------------|-------|-------------------|
| Nominal Impedance | ----- | 8 |
| Nominal Power | ----- | 30W |
| Maximum Power | ----- | 60W |
| Resonance Frequency | ----- | 75 Hz |
| Effective Frequency Range | ----- | Fo ~ 8,000 Hz |
| Sound Pressure Level | ----- | 91.5 dB W/m |
| Magnet Size | ----- | 75 x 32 x t 10 mm |
| Magnet Weight | ----- | 181 g (6.38 oz.) |
| Net Weight | ----- | 645 g (22.75 oz.) |



株式会社 東京コーン紙製作所
TOKYO CONE PAPER MFG.CO.,LTD.