



14mm 高音用スピーカ
0.56inch Tweeter

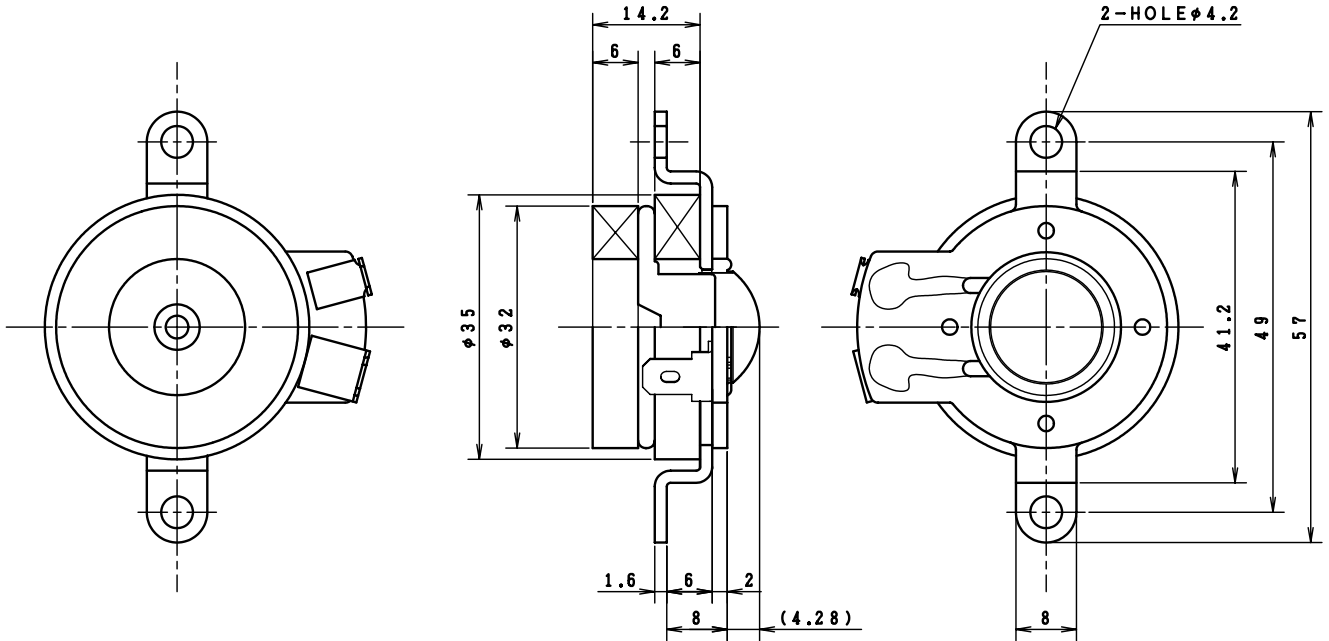
Model No.

FH14D01-1

26 June 2003

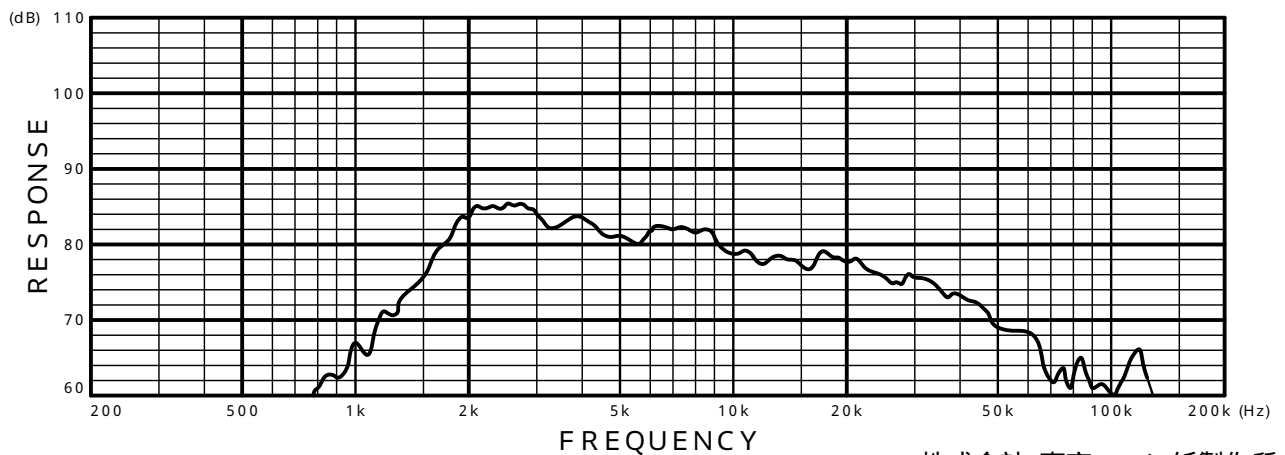
ソフトドームタイプ

Soft Dome Type



Specifications

Nominal Impedance	-----	4
Nominal Power	-----	25W(With Network)
Maximum Power	-----	80W(With Network)
Resonance Frequency	-----	- - - Hz
Effective Frequency Range	-----	5,000 ~ 50,000 Hz
Sound Pressure Level	-----	80 dB W/m
Magnet Size	-----	Main: 35 x 18 x t16 mm Sub: 32 x 18 x t16 mm
Magnet Weight	-----	Main: 21g(0.74oz.) Sub: 16.5g(0.58oz.)
Net Weight	-----	82g(2.89oz.)



株式会社 東京コーン紙製作所
TOKYO CONE PAPER MFG.CO.,LTD.