



66mm 高音用スピーカ
2.5inch Tweeter

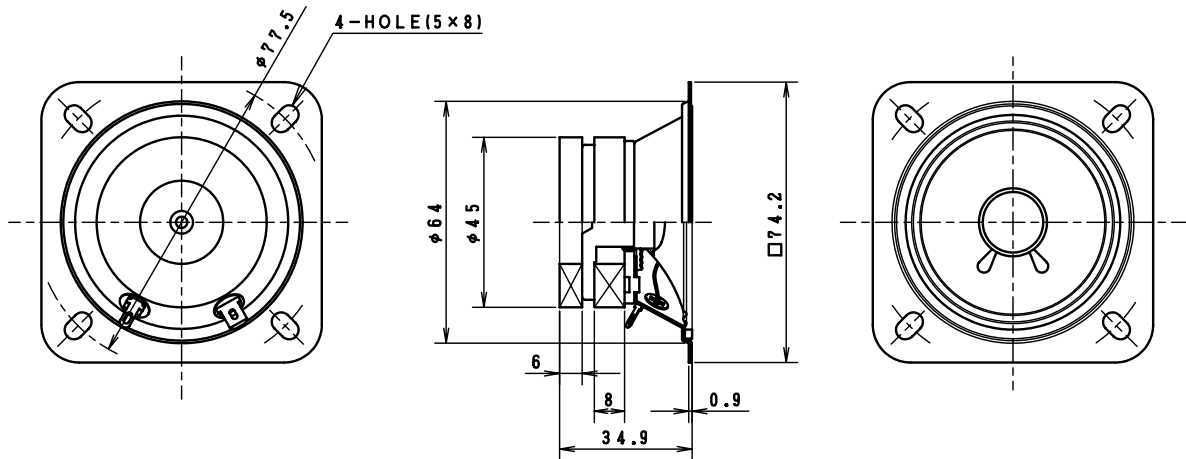
Model No.

FH66C43-6

26 June 2003

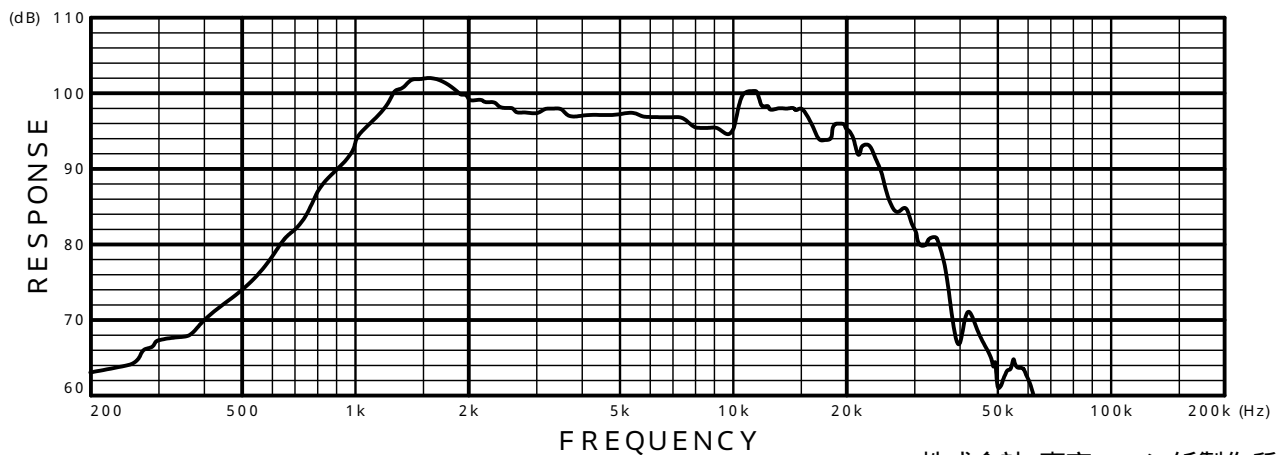
ゼネラルタイプ
黒色抄紙コーン

General Type
Black Pulp Cone



Specifications

Nominal Impedance-----	16
Nominal Power-----	70W(With Network)
Maximum Power-----	140W(With Network)
Resonance Frequency-----	- - - Hz
Effective Frequency Range-----	3,000 ~ 18,000 Hz
Sound Pressure Level-----	96 dB W/m
Magnet Size-----	Main: 45 x 22 x t 8mm Sub: 45 x 22 x t 6mm
Magnet Weight-----	Main: 48 g (1.69 oz.) Sub: 35 g (1.23 oz.)
Net Weight-----	190 g (6.70 oz.)



株式会社 東京コーン紙製作所
TOKYO CONE PAPER MFG.CO.,LTD.