



300mm 低音用スピーカ  
12inch Woofer

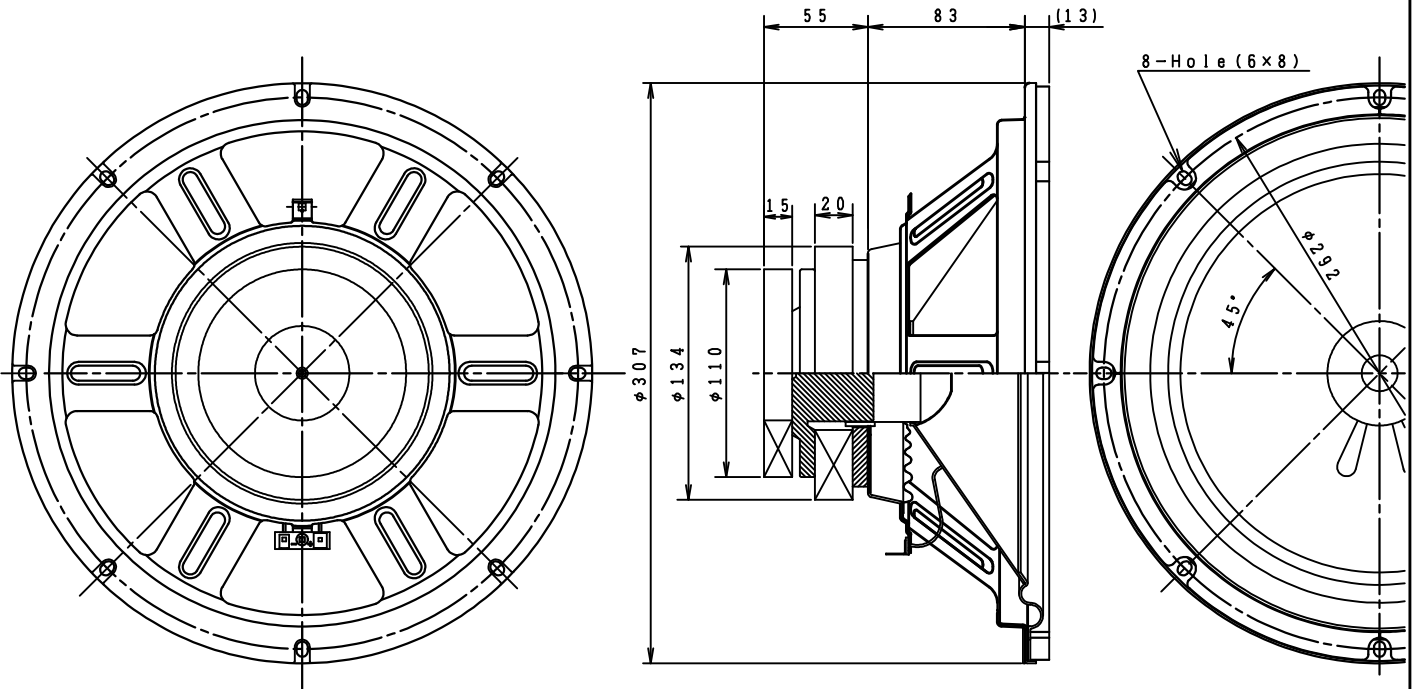
Model No.

FL300U35-3

08 April 2014

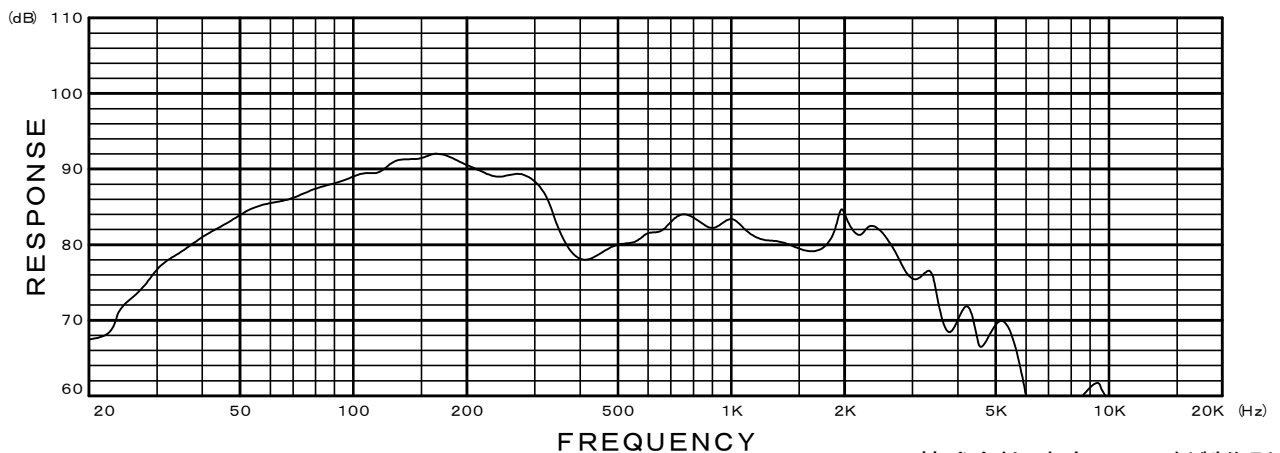
- ローレンジスピーカ
- 黒色抄紙コーン
- ウレタンエッジ

- Low Range Type
- Black Pulp Cone
- Urethane Edge



### Specifications

|                           |       |   |
|---------------------------|-------|---|
| Nominal Impedance         | ----- | 8 Ω   |
| Nominal Power             | ----- | 200W  |
| Maximum Power             | ----- | 400W  |
| Resonance Frequency       | ----- | 40Hz  |
| Effective Frequency Range | ----- | F <sub>0</sub> ~ 3,000Hz                                |
| Sound Pressure Level      | ----- | 86.5dB W/m  |
| Magnet Size               | ----- | Main : φ134 × φ60 × t 20mm<br>SUB : φ110 × φ50 × t 15mm |
| Magnet Weight             | ----- | Main : 1,080g (38.1oz.)<br>SUB : 570g (20.1oz.)         |
| Net Weight                | ----- | 4,100g (144.62oz.)                                      |



株式会社 東京コーン紙製作所  
TOKYO CONE PAPER MFG. CO., LTD.