



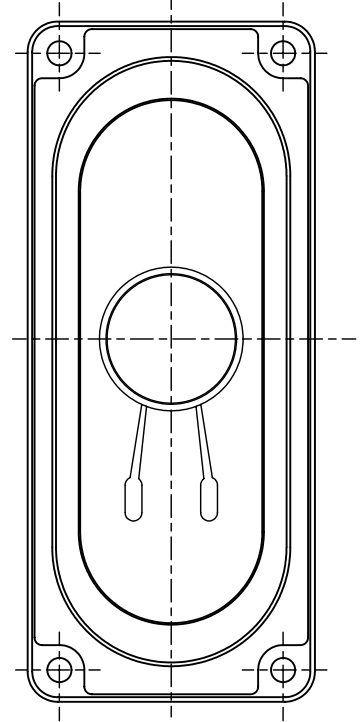
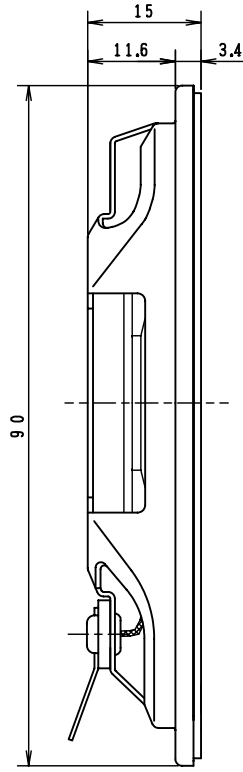
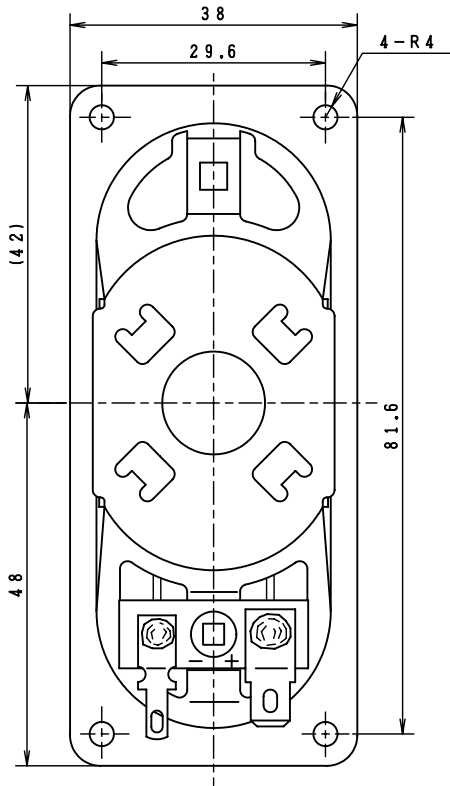
38 x 90mm スピーカ
1.6 x 3.5 inch Speaker

Model No.
S16E35U02-1

23 May 2012

フルレンジタイプ
黒色抄紙コーン
ゴムエッジ

Full Range Type
Black Pulp Paper Cone
Rubber Edge



Specifications

Nominal Impedance	-----	8
Nominal Power	-----	5W
Maximum Power	-----	10W
Resonance Frequency	-----	240Hz
Effective Frequency Range	-----	F ₀ ~ 10,000Hz
Sound Pressure Level	-----	80dB W/m
Magnet Size	-----	Main : 15 x t 2.5mm (x 2 pcs.) Sub : 15 x t 1.7mm
Magnet Weight	-----	Main : 6.58g (0.232oz.) Sub : 2.24g (0.079oz.)
Net Weight	-----	¹¹⁰ 34.6g (1.22oz.)

