



57mm スピーカ
2.3inch Speaker

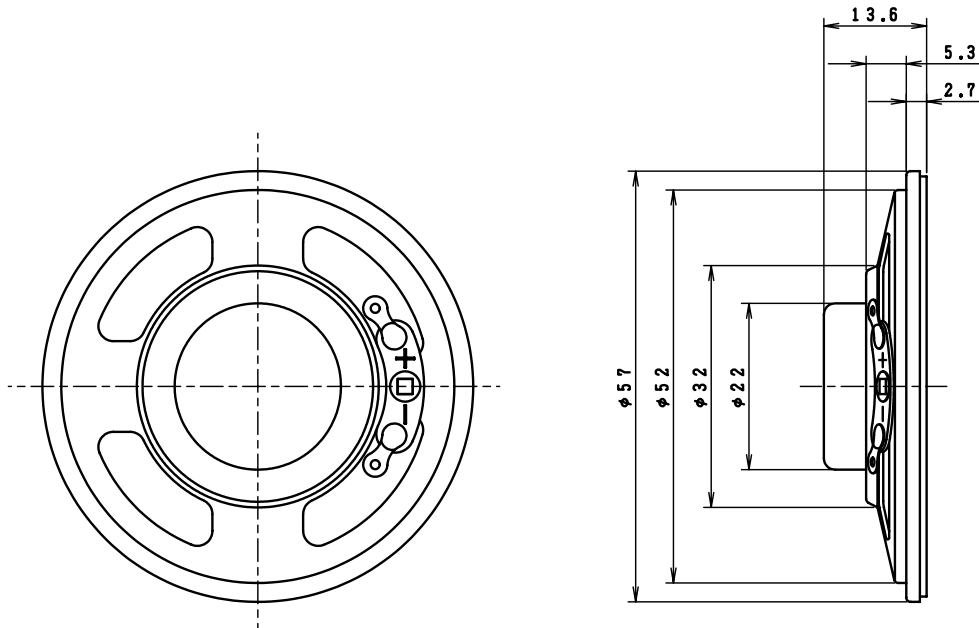
Model No.

S57C16C-3

26 June 2003

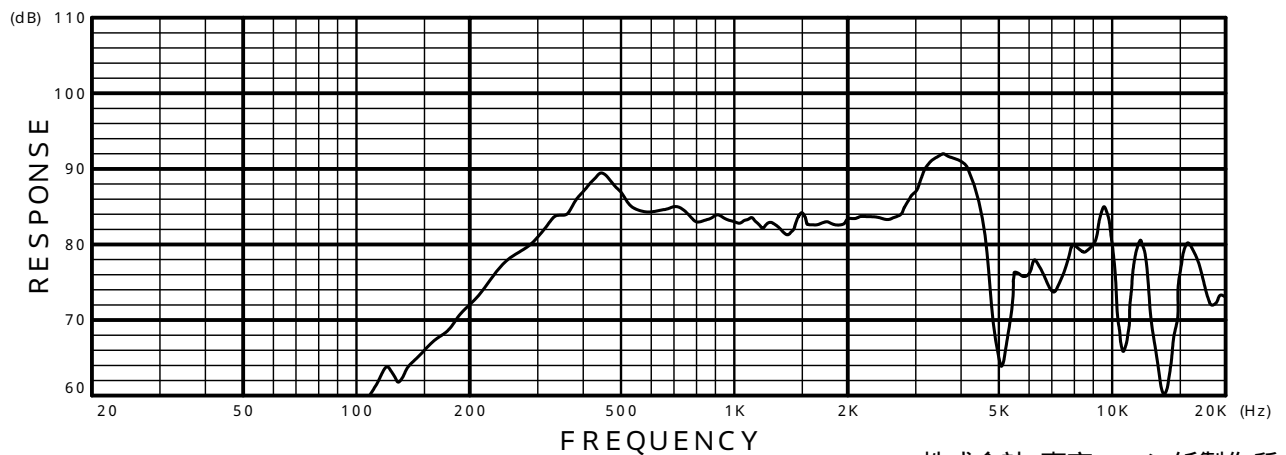
ゼネラルタイプ

General Type



Specifications

Nominal Impedance	-----	8
Nominal Power	-----	1W
Maximum Power	-----	2W
Resonance Frequency	-----	400 Hz
Effective Frequency Range	-----	F _o ~ 4,000 Hz
Sound Pressure Level	-----	83 dB W/m
Magnet Size	-----	12.5 × t 1.5 mm
Magnet Weight	-----	1.4 g (0.049 oz.)
Net Weight	-----	28.5 g (1.01 oz.)



株式会社 東京コーン紙製作所
TOKYO CONE PAPER MFG.CO.,LTD.