



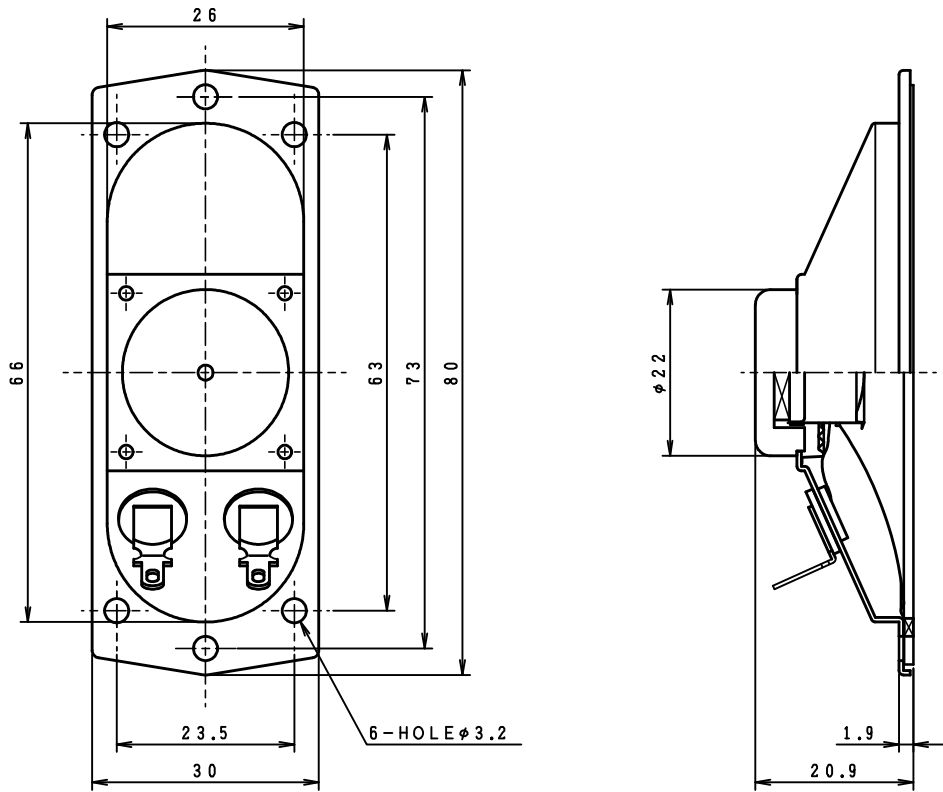
30×70mm 高音用スピーカ
1.2×2.8inch Tweeter

Model No.
SH12E28C01-2

23 May 2012

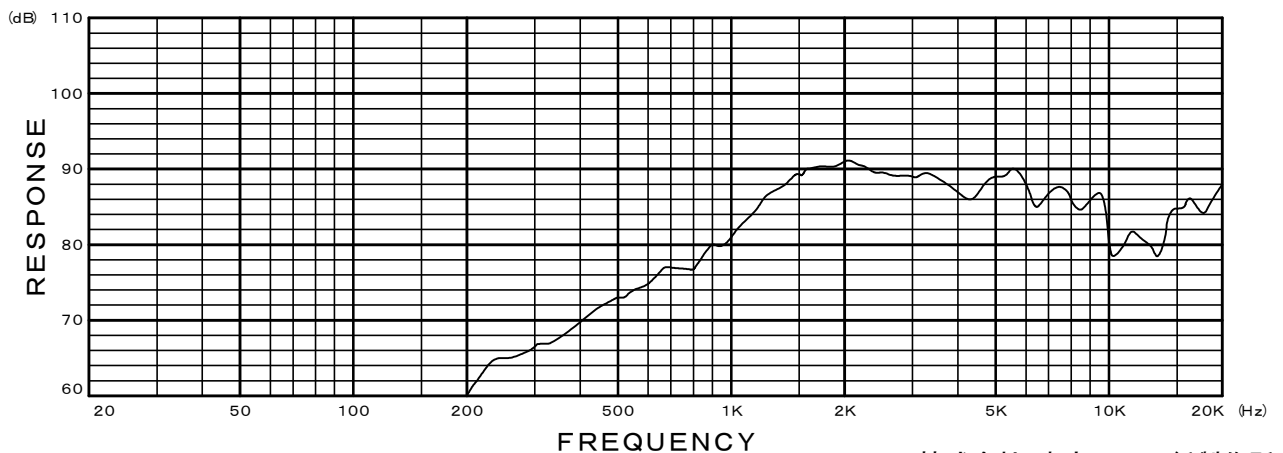
■ゼネラルタイプ

■General Type



■Specifications■

Nominal Impedance	-----	8Ω
Nominal Power	-----	2W (With Netwoke)
Maximum Power	-----	10W (With Netwoke)
Resonance Frequency	-----	--- Hz
Effective Frequency Range	-----	2,000~20,000Hz
Sound Pressure Level	-----	86dB W/m
Magnet Size	-----	φ12.5×t2mm
Magnet Weight	-----	1.8g (0063oz.)
Net Weight	-----	35g (1.23oz.)



株式会社 東京コーン紙製作所
TOKYO CONE PAPER MFG.CO.,LTD.