



50mm スピーカ
2inch Speaker

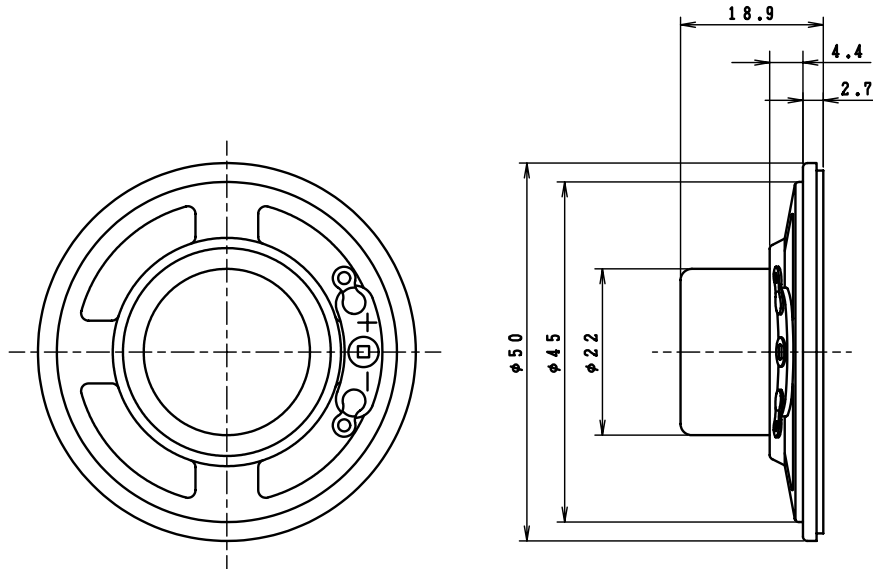
Model No.

T50C17C-1

26 June 2003

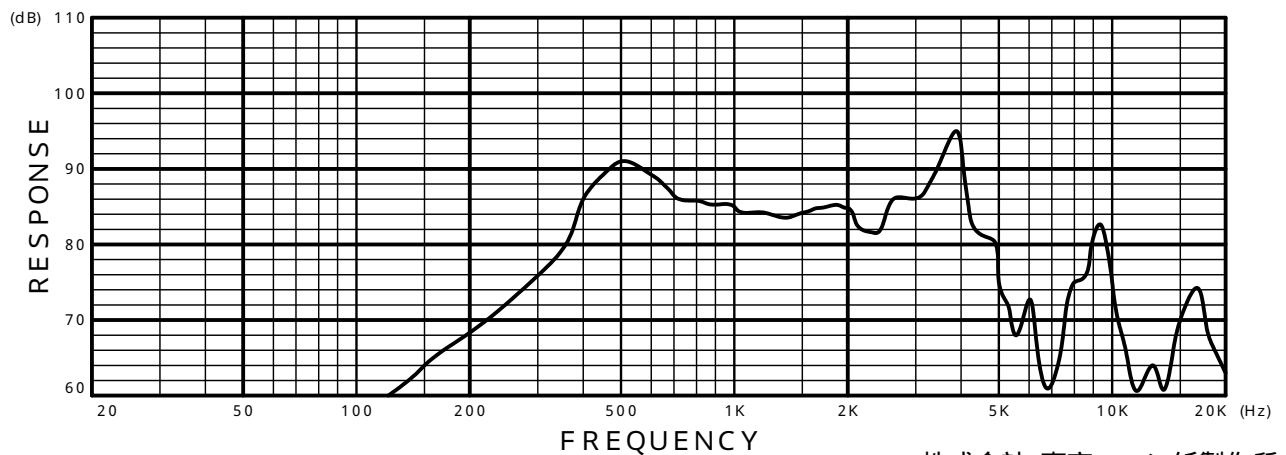
ゼネラルタイプ

General Type



Specifications

Nominal Impedance	-----	8
Nominal Power	-----	0.2W
Maximum Power	-----	0.4W
Resonance Frequency	-----	480 Hz
Effective Frequency Range	-----	F _o ~ 4,000 Hz
Sound Pressure Level	-----	84 dB W/m
Magnet Size	-----	13 x t 10 mm
Magnet Weight	-----	9.66 g (0.34 oz.)
Net Weight	-----	40.5 g (1.43 oz.)



株式会社 東京コーン紙製作所
TOKYO CONE PAPER MFG.CO.,LTD.