



57mm スピーカ
2.3inch Speaker

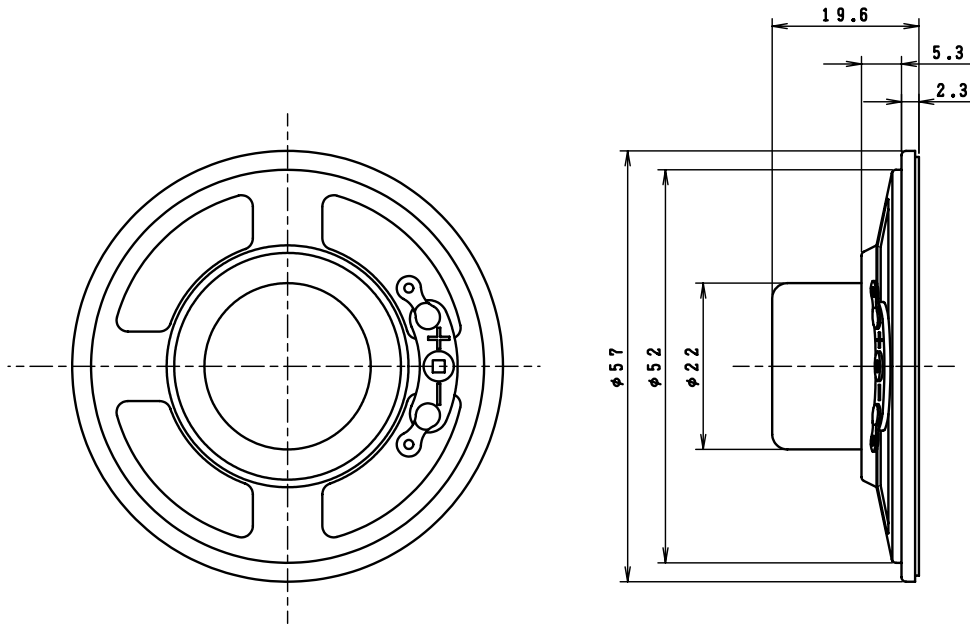
Model No.

T57C22C-13

26 June 2003

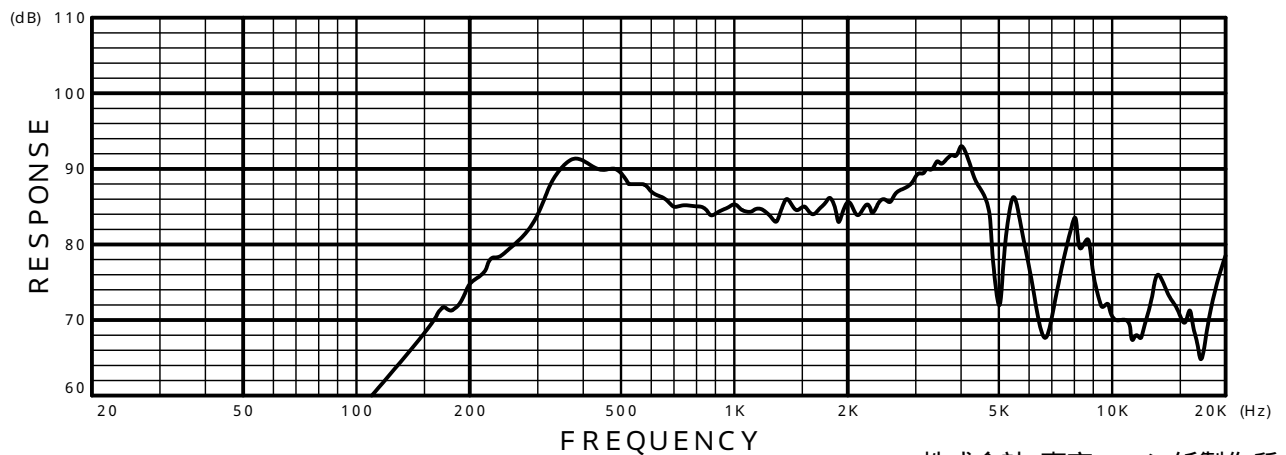
ゼネラルタイプ

General Type



Specifications

Nominal Impedance	-----	8
Nominal Power	-----	0.3W
Maximum Power	-----	0.5W
Resonance Frequency	-----	390 Hz
Effective Frequency Range	-----	F _o ~ 4,500 Hz
Sound Pressure Level	-----	84.5 dB W/m
Magnet Size	-----	13 × t 10 mm
Magnet Weight	-----	9.66 g (0.34 oz.)
Net Weight	-----	43 g (1.52 oz.)



株式会社 東京コーン紙製作所
TOKYO CONE PAPER MFG.CO.,LTD.